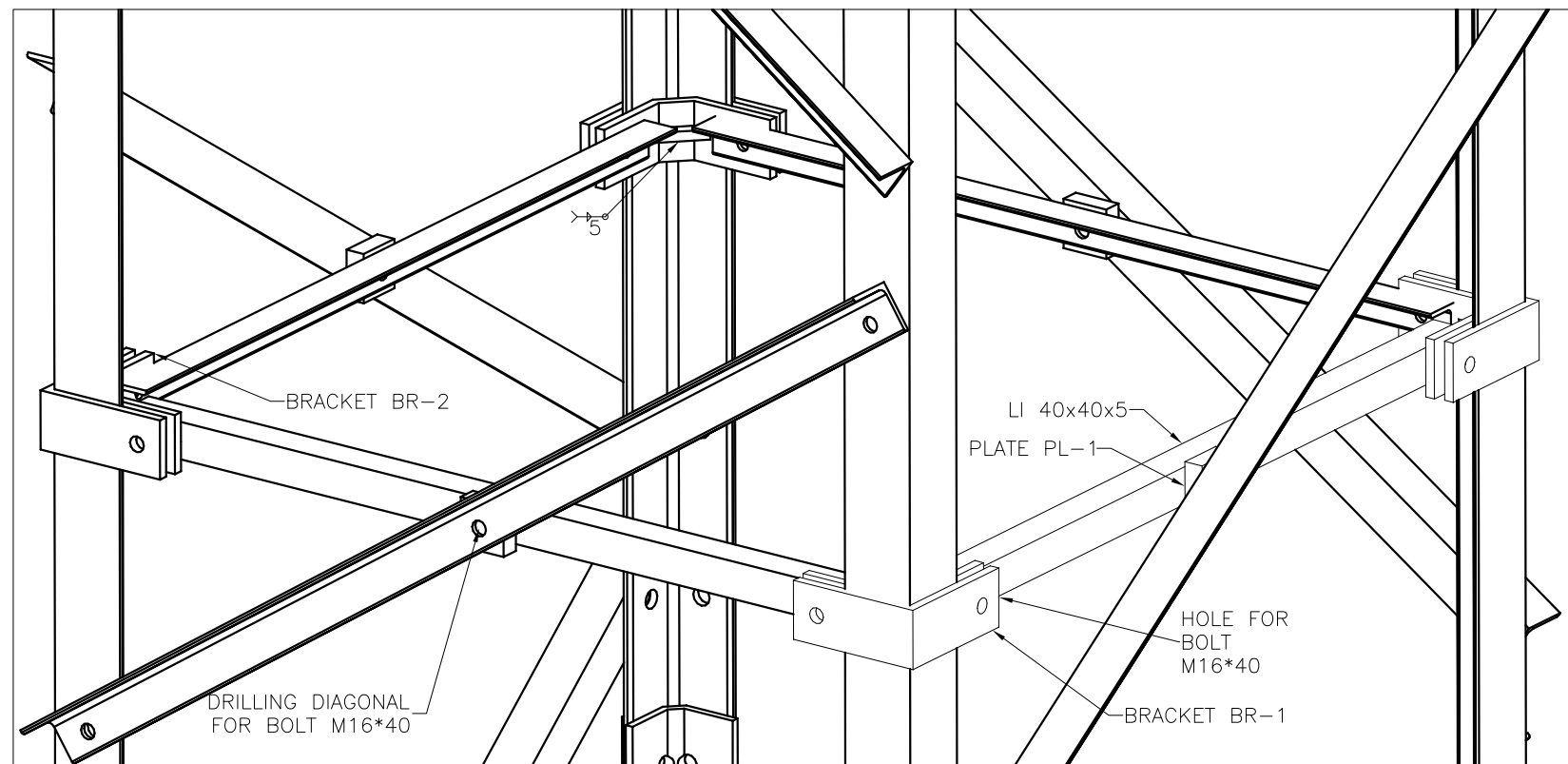
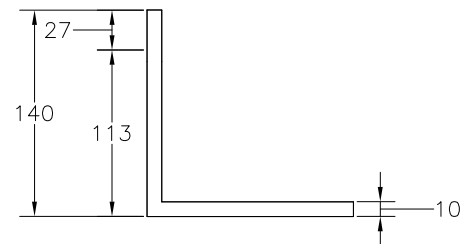


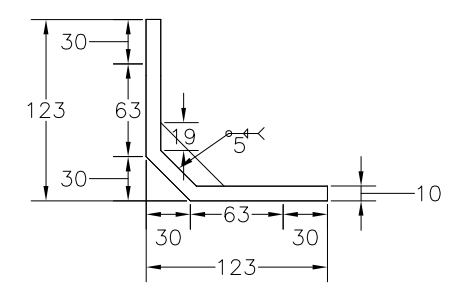
**ELEVATION VIEW
TYPICAL DETAIL
PANEL A BOTTOM (ELEV. 20.00 MTS. TO 25.00 MTS.)**



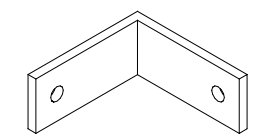
**ISOMETRIC VIEW
MOUNTING DETAIL**



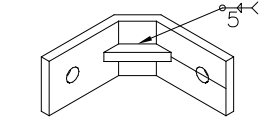
**TOP VIEW
BRACKET BR-1**



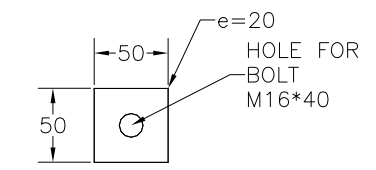
**TOP VIEW
BRACKET BR-2**



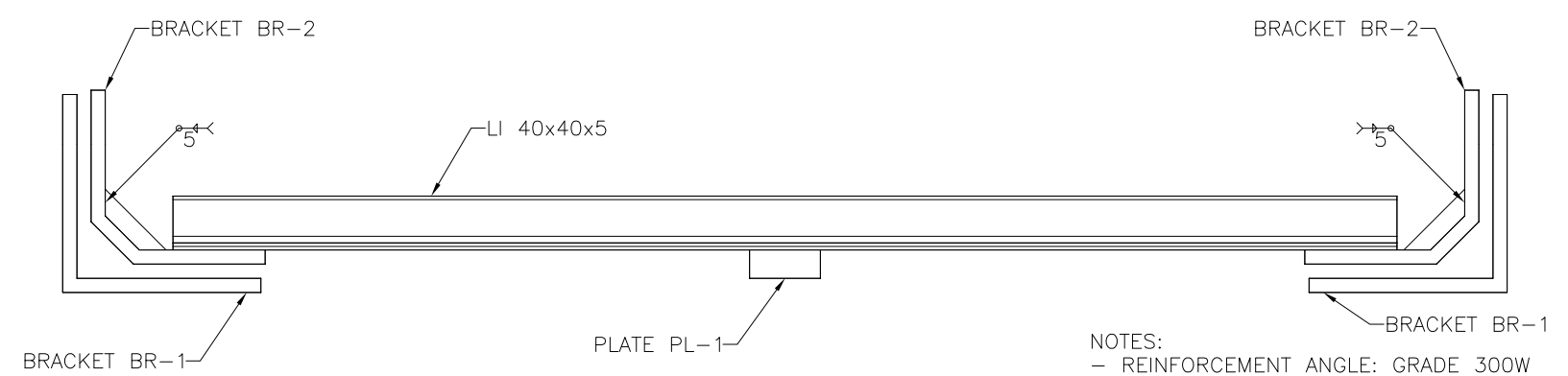
**ISOMETRIC VIEW
BRACKET BR-1**



**ISOMETRIC VIEW
BRACKET BR-2**



**FRONT VIEW
PLATE PL-1**



**TOP VIEW
HORIZONTAL REINFORCEMENT**

- NOTES:**
- REINFORCEMENT ANGLE: GRADE 300W
 - BOLTS GRADE: 8.8, HEXAGONAL HEAD WASHERS TO BS 4320 AND BS 4464 (OR SIMILAR) ALL SPUN GALVANIZED TO BS BS7371 PART 6 (OR SIMILAR) THREAD LENGTH 1 1/2 C/W NUT AND SPRING WASHER